

# POS Monitor

- 9" Mono & 10" Color
- Support Any Quantity at Competitive Price

**Features:**

- Streamlined Appearance Designing
- Ergonomics User Friendly
- Hi-Resolution Screen
- Extremely Fine Definition
- Universal Power Supply
- Complied with EMI & Safety Standard

**Applications:**

- Banking Systems
- Point of Sales, POS
- Cash Dispenser ATM
- Book-size PC
- Industrial Numeric Control Machine
- Sub-NoteBook PC
- Limited User Space

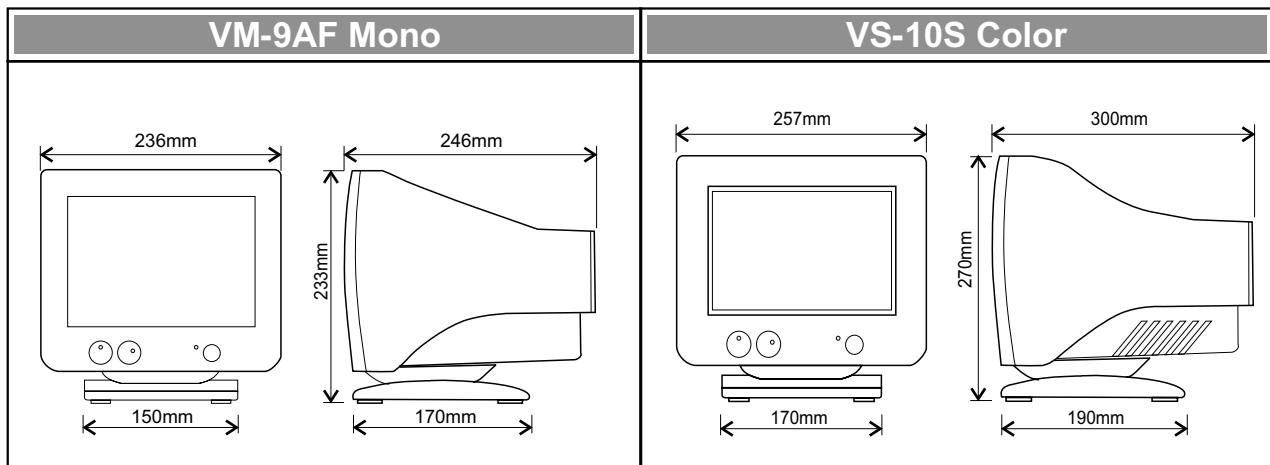


# Specifications:

Function \ Model	VM-9AF Monochrome	VS-10S Color
<b>CRT</b>	9" 90° Non-Glare phosphor: P/W, Amber, Green	SAMSUNG Tube 10" (9V) 90° 0.26 mm Dot Pitch
<b>Input Signal</b>	Separate TTL Level Video Inupt: Analog	Video: Analog 0.7 V / 75 ohm Separate Sync. TTL Level
<b>Scan Frequency</b>	H: 30~38 KHz V: 50~90 Hz	H: 30~38KHz (Auto) V: 50~90 Hz
<b>Resolution</b>	1024x768, 640x350, 640x400, 640x480, 800x600	640x480, 800x600, 1024x768
<b>Video Bandwidth</b>	45 MHz $\pm$ 3db	50 MHz
<b>Display Area H x V</b>	165 x 120 ( $\pm$ 4mm)	170 x 128 mm
<b>Physical Dimension</b> W x H x D	236 x 233 x 246 mm	257 x 270 x 300 mm
<b>Packing Dimension</b> W x H x D	305 x 305 x 305 mm	380 x 340 x 430 mm
<b>Net Weight</b>	3.5 Kgs	6.8 Kgs
<b>Gross Weight</b>	4.5 Kgs	8.3 Kgs
<b>User Control</b>	Bright, Contrast, V-Size, H-Size, V-phase, Power SW, Sub-Bright (for Mono), Focus (for Mono)	
<b>Input Connector</b>	15-pin Dsub Type (High-Density)	
<b>Safety</b>	UL, CSA, TÜV, CE, FDA	
<b>EMI</b>	FCC-B, CE	

! Specifications subject to change without notice

! All trademarks are the property of their owners



ISO-9002 Certified



Manufacturer

**FAMETECH INC.**

3F, No. 25, Lane 50, Sec. 3  
Nan-Kang Rd., Taipei, Taiwan, R. O. C.  
Tel : 886-2-26515416  
Fax: 886-2-27886946  
E-Mail: tyssso@ms6.hinet.net  
URL: <http://www.famotech.com.tw>